
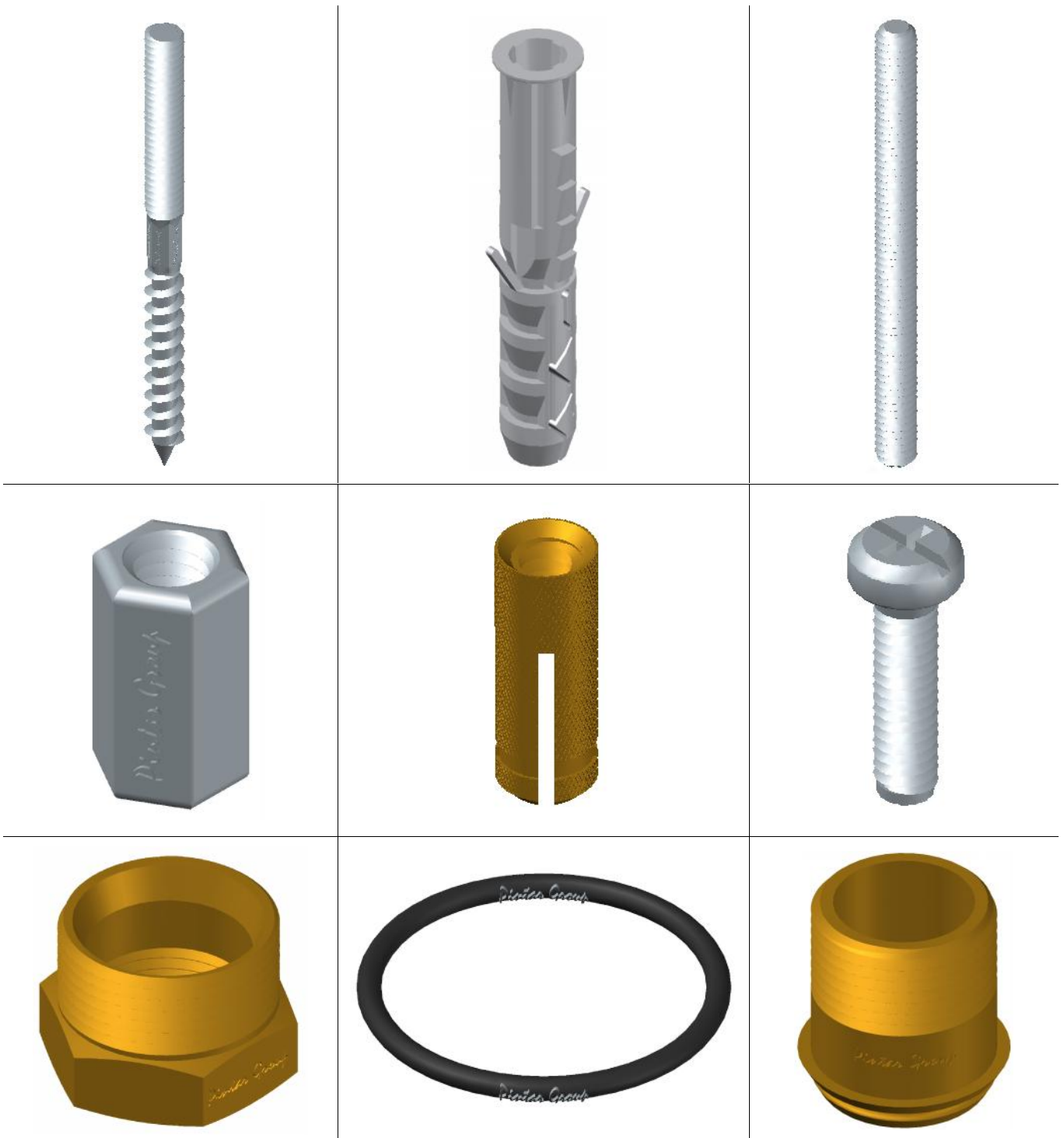


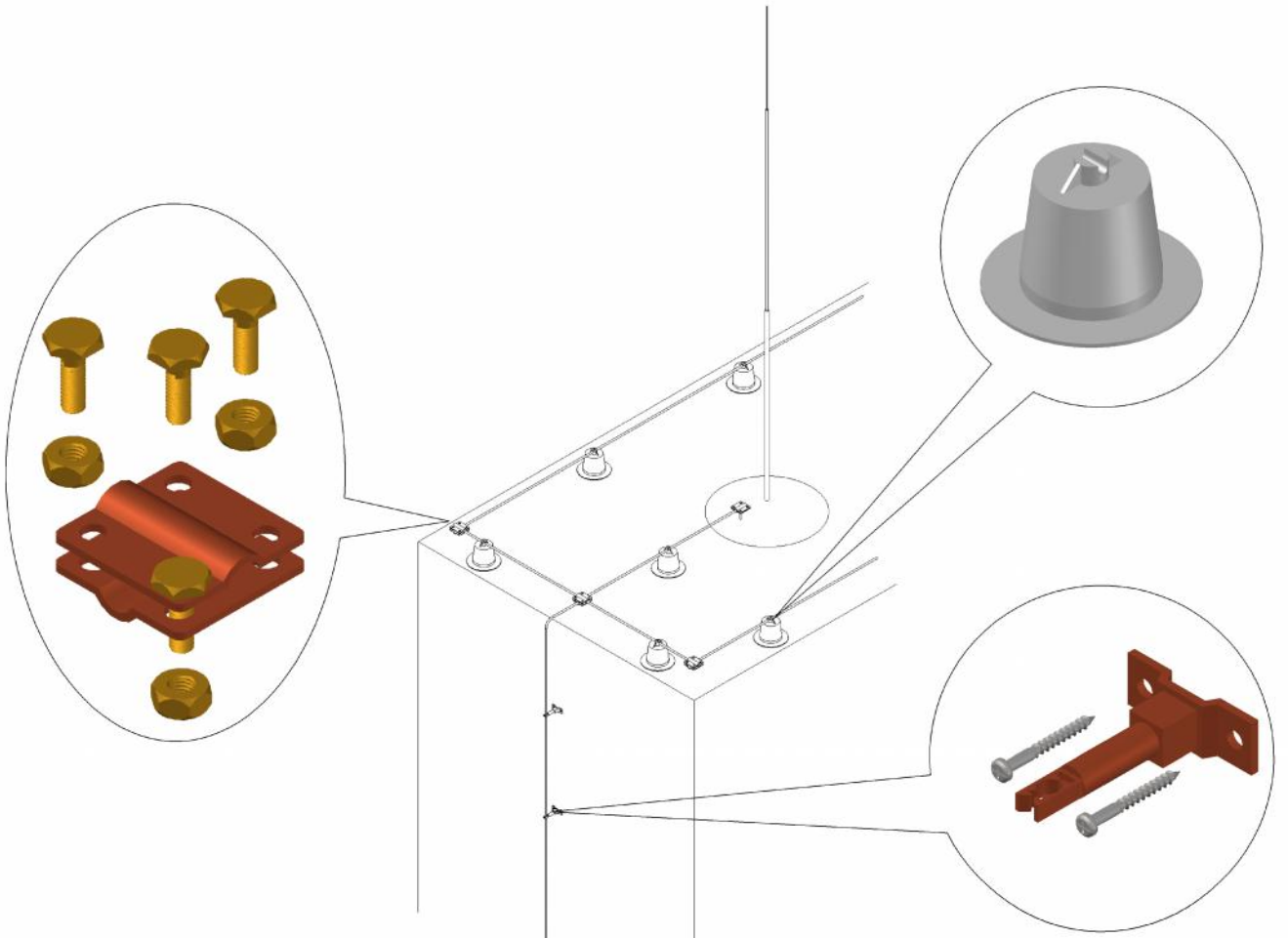
Pintar Group – solutions for *creating, modelling, development* and *design* engineering tasks offers a range of services:

 **3D modelling** – create a 3-d presentation of products, with subsequent possibility of obtaining and applying them in drawings and assembly units.

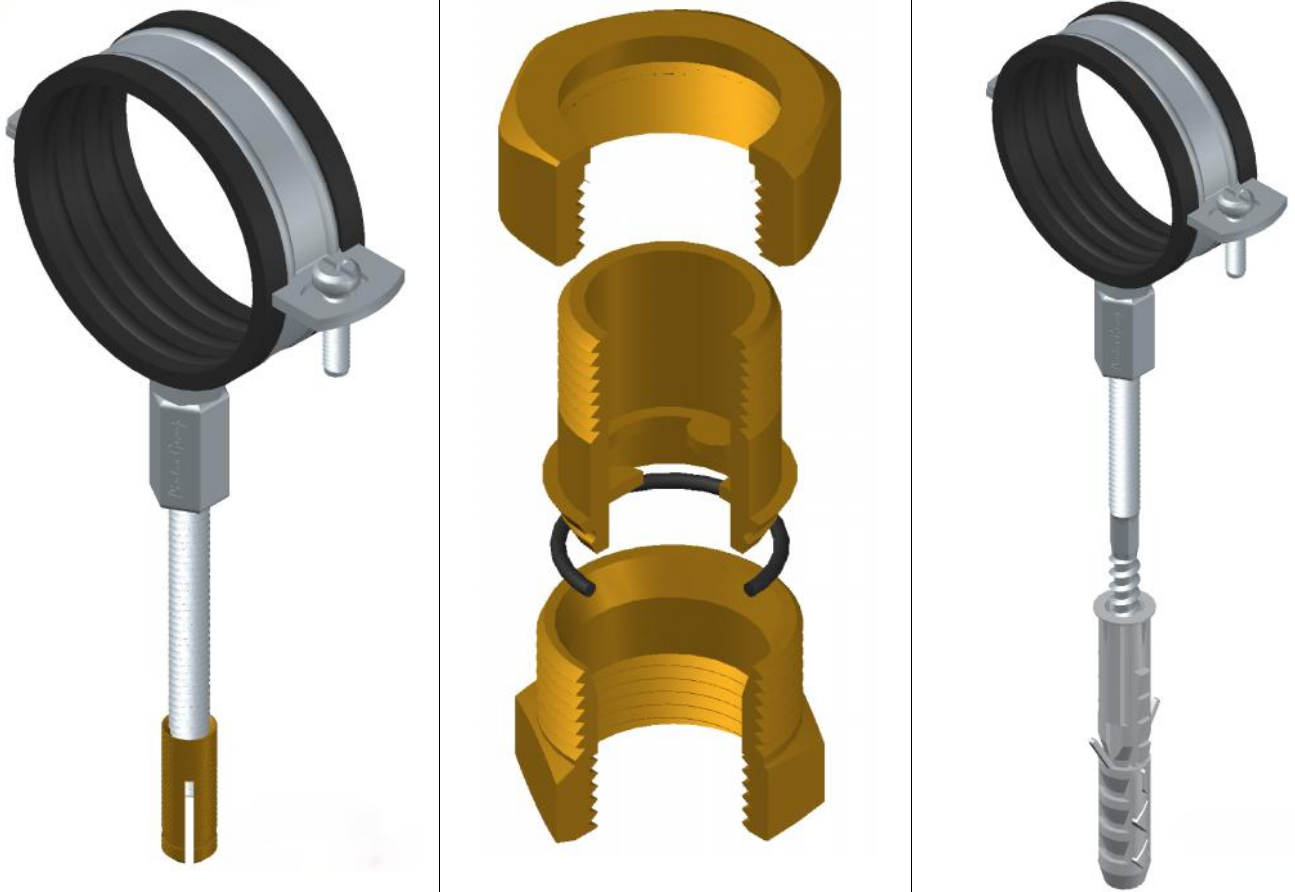




CAD CATALOG – electronic library products OF your company in an easy-to-use electronic means of processing information.

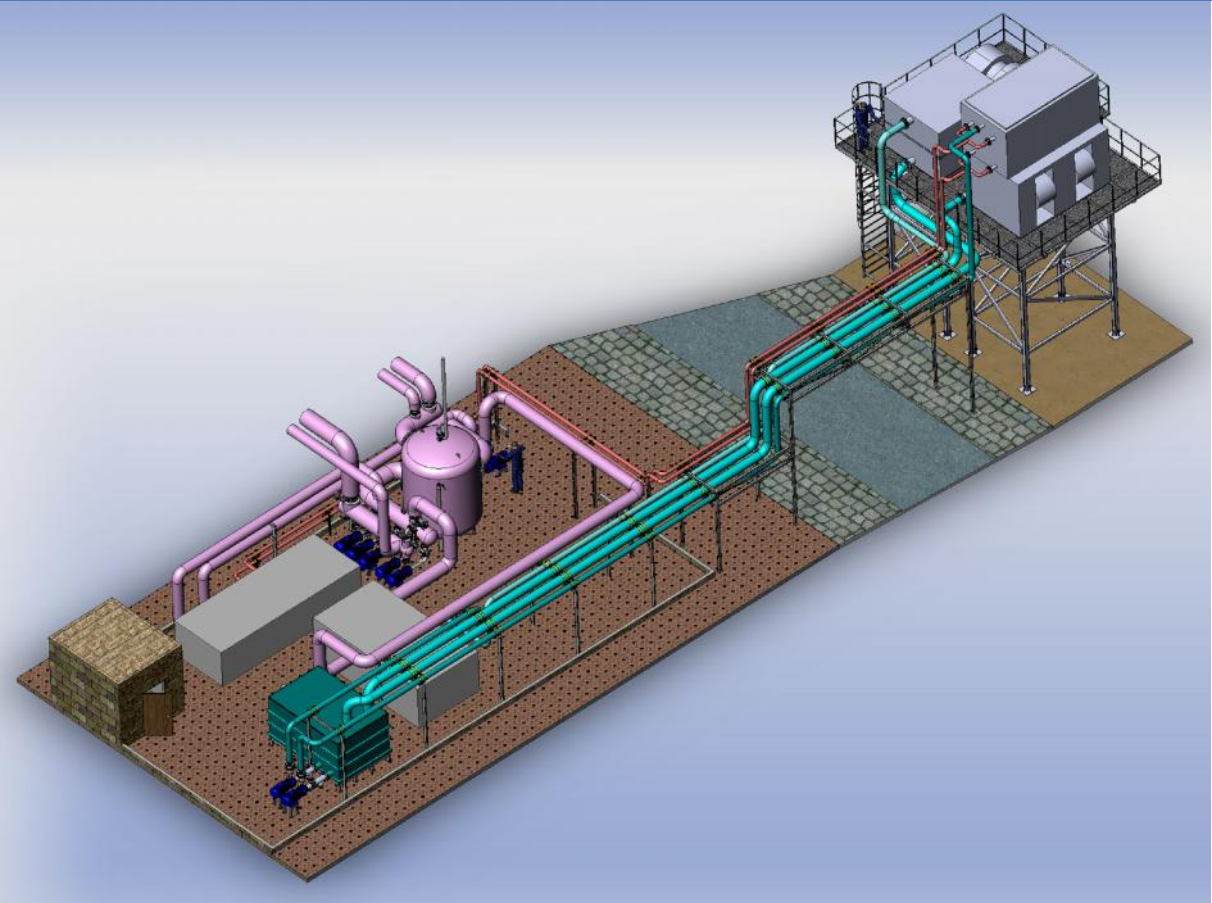
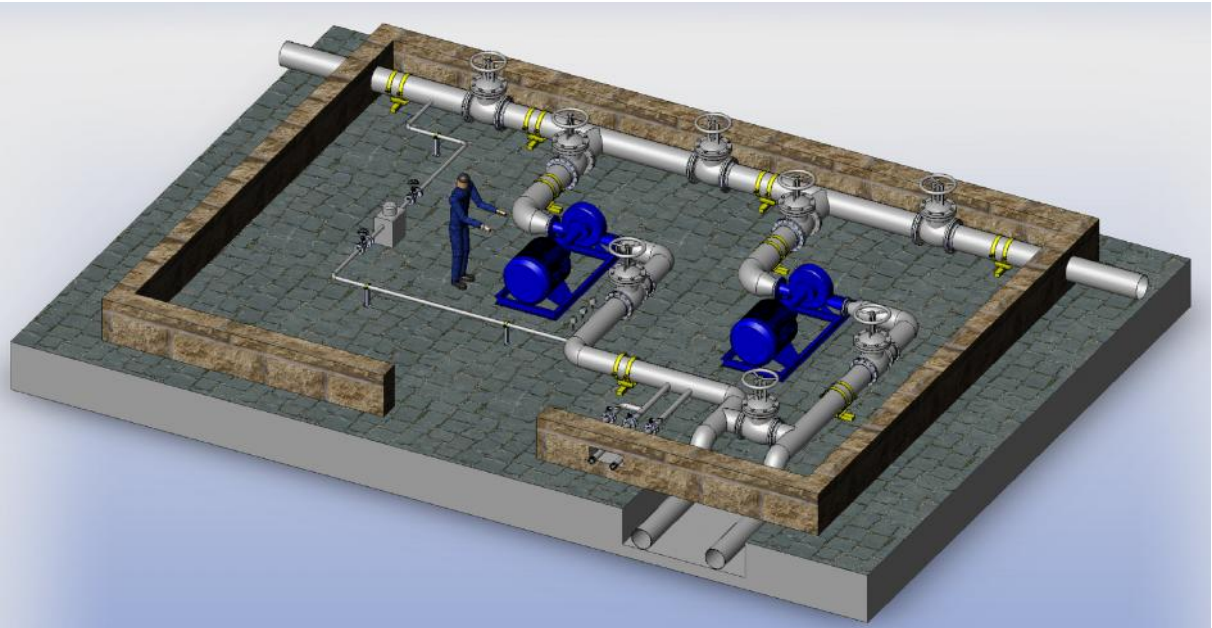


Creation assembly 3D models a simple complexity:





Designing assembled 3D models with increased complexity:



More details on www.pintar.kiev.ua

best regard, Pintar Group

Pintar Group

We work in any dimension

